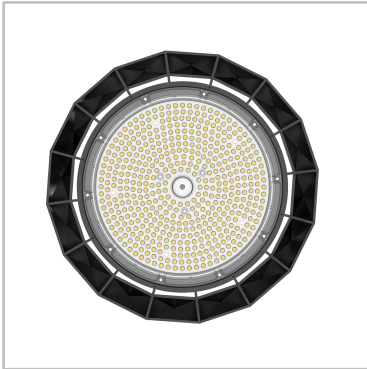


# Q-Series

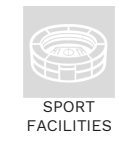


## KEY ADVANTAGES

- Dedicated after-sales Support, offer such a warranty, designed to give customers peace of mind and confidence.
- Distinguishing Performance: continues our philosophy of offering the best value at the same price point.
- Diamond Die-cutting design, Artistic design will be integrated into the professional design.
- Durability Endurance, provide reliable illumination, reducing the need for frequent replacements with a long lifespan

## TYPES OF APPLICATION

- CAR PARKS
- LARGE AREAS
- INDUSTRIAL HALLS & WAREHOUSES
- SPORT FACILITIES



## GENERAL INFORMATION

Driver included	Yes
CE mark	Yes
RoHS compliant	Yes
Safety features	Open circuit protection Short circuit protection Overvoltage protection
Testing standard	LM-79-19(all measurements in ISO17025 accredited laboratory)

## HOUSING AND FINISH

Housing	Aluminium
Optic	Polycarbonate
Protector	Polycarbonate (with integrated lenses)
Housing finish	Electrostatic polyester powder coating
Standard colour(s)	RAL 9017 black
Tightness level	IP 65
Impact resistance	IK 09

## OPERATING CONDITIONS

Operating temperature range (Ta)	-30°C to + 60°C
Operating Humidity	10-90%RH
Mounting Option	Loop Hanging Bracket Mounting
Warranty	10 years

## PERFORMANCE

Power	100W/150W/200W
Efficacy	160lm/W,150lm/W
Power Efficiency	≥93%
Start Time	≤0.2S
Warm-up time to 60%	0.5S

## ELECTRICAL INFORMATION

Electrical class	Class I EU
Nominal voltage	120-277V   50/60Hz
Power factor (at full load)	0.9
Surge protection options (kV)	6KV-Line-Line 6KV-Line-Earth
Electromagnetic compatibility (EMC)	EN 55015:2019/A11:2020, EN 61000 3-2:2019, EN 61000-3-3:2013, EN 61547:2009, EN 62493:2015
Control protocol(s)	1-10V, DALI2 (optional)
Emergency	Optional auxiliary battery
Total Harmonic Distortion(THD)	IEC 61000-3-2 Class C <20%
Driver Type	Constant current(CC)

For fixed Class 1 luminaires, overvoltage protective devices which comply with IEC 61643-11 shall be disconnected from the circuit.

withstand voltage	1.5KV 60S 10mA
-------------------	----------------

※Lamp switch must control L line or control L and N lines.

## OPTICAL INFORMATION

LED Type	SMD2835 / SMD3030
Beam Angle	90°
Recommended installation height	4m to 12m
Color Tolerance	Ra70 ≤5 Ra80 ≤5
LED colour temperature	3000K / 4000K / 5000K / 5700K / 6500K
Colour rendering index (CRI)	CRI>70 standard CRI>80 optional
Upward Light Output Ratio (ULOR)	0%

※Ra measurement tolerance is ±2.

## LIFETIME OF THE LEDS @ TA 25°C

All configurations	
L70B50	>100,000h
L80B20	>50,000h
L90B10	>30,000h
Switching Cycles	>100,000 times

## STANDARD VERSION

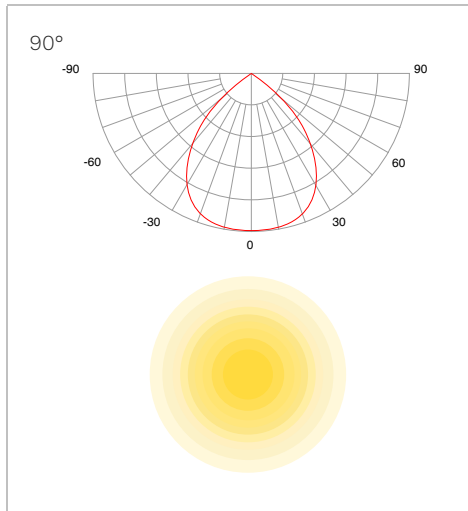
POWER	LUMENS	EFFICACY
100W	16,000LM	160LM/W(Ra70)
	15,000LM	150LM/W(Ra80)
150W	24,000LM	160LM/W(Ra70)
	22,500LM	150LM/W(Ra80)
200W	32,000LM	160LM/W(Ra70)
	30,000LM	150LM/W(Ra80)

※The Performance Data is tested base on 230VAC, 80° and 4000K for all versions  
 ※Power Consumption Tolerance ±5% (Apply to all versions)  
 ※Lumen Efficiency Tolerance ±5% (Apply to all versions)

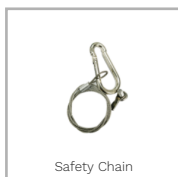
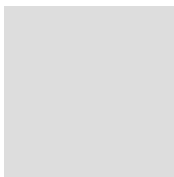
## PACKAGING

POWER	PACKAGE SIZE	QTY/CTN	SINGLE PIECE VOLUME	NET WEIGHT	GROSS WEIGHT	20GP	40HQ
100W	L400*W400*H240mm	1PCS/CTN	0.0384m <sup>3</sup>	/	/	677pcs	1719pcs
150W	L400*W400*H240mm	1PCS/CTN	0.0384m <sup>3</sup>	/	/	677pcs	1719pcs
200W	L400*W400*H240mm	1PCS/CTN	0.0384m <sup>3</sup>	/	/	677pcs	1719pcs

## LIGHT DISTRIBUTIONS



## ACCESSORIES



## Q-SERIES | DRAWING

⚠ Connecting the cable requires an IP65 Tightness level

100W/150W/200W

